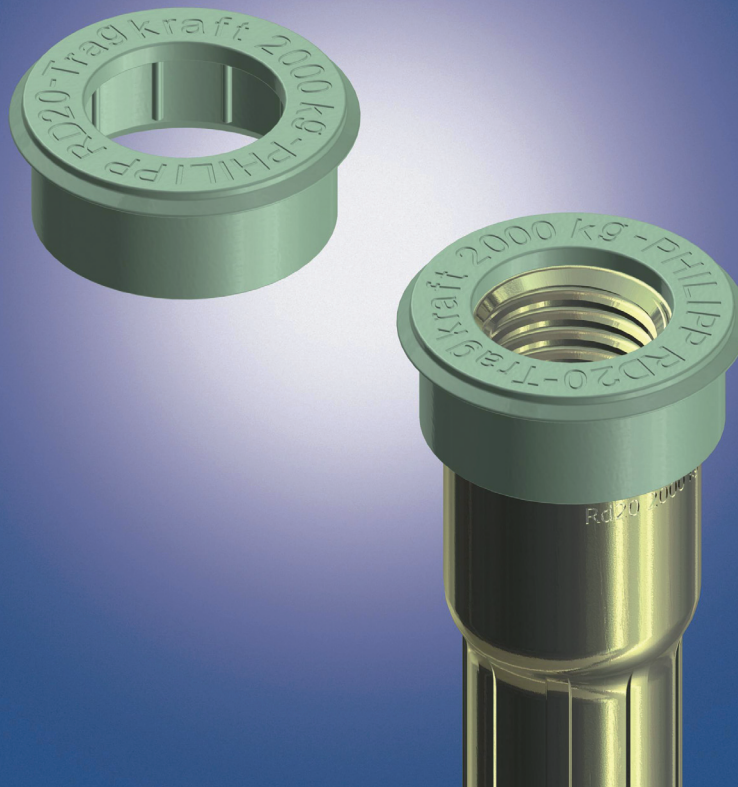




# PHILIPP Marking Ring

---

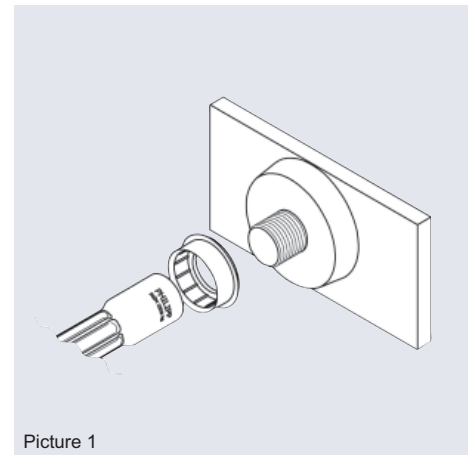
## Data Sheet



# DATA SHEET OF PHILIPP MARKING RING

The **PHILIPP Marking Ring** is part of the **PHILIPP Threaded Anchor Systems** and is used for the marking of the installed anchors. The **PHILIPP Marking Ring** is put over the threaded insert during the installation of the anchor. Afterwards the threaded anchor is fixed onto the mould.

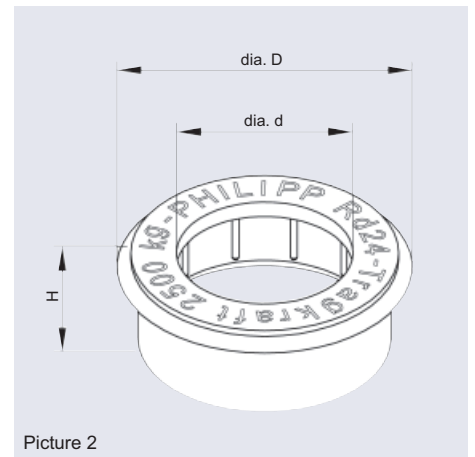
The colour-coded marking rings ensure a correct classification for the use of the appropriate lifting device.



Picture 1

**Table 1: Dimensions of PHILIPP Marking Rings**

Art.-No.	for Type	dia.D [mm]	dia.d [mm]	h [mm]	Colour code	PU [pcs.]
74KR12	12	26	13	15	Pastel orange	100
74KR14	14	30	15	15	Pure white	100
74KR16	16	31	17	15	Flame red	100
74KR18	18	35	19	15	Telemagenta	100
74KR20	20	37	21	15	Pastel green	100
74KR24	24	41	25	15	Anthracite grey	100
74KR30	30	52	31	15	Emerald green	100
74KR36	36	57	36	15	Light blue	100
74KR42	42	64	43	15	Silver grey	100
74KR52	52	80	53	15	Sulfur yellow	100



Picture 2

**Version: Plastic**