

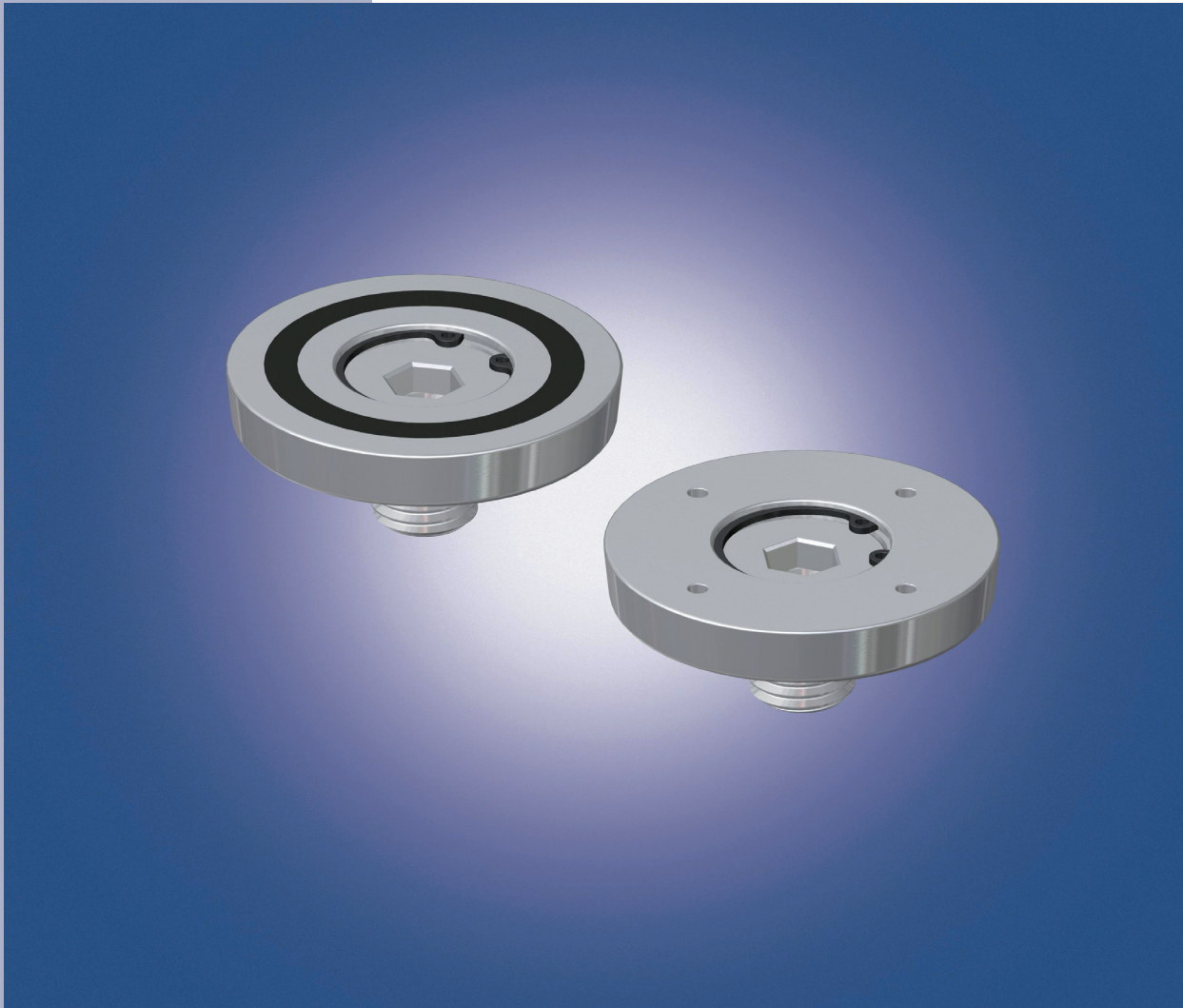


PHILIPP (Magnetic) Recess Former

Data Sheet



for Wirbelstar



DATA SHEET OF PHILIPP MAGNETIC RECESS FORMER (WIRBELSTAR)

The **PHILIPP Recess Former (Wirbelstar)** are used to fix **PHILIPP Threaded Anchors**, **PHILIPP Threaded Insert** and **PHILIPP Lifting Inserts** onto the steel mould. The existing nail holes allow a fixation with nails. Alternatively there is also a magnetic version available for steel moulds (Picture 2, Table 2). The application of **PHILIPP Recess Former (Wirbelstar)** ensures a rectangular contact area for the compression plate of **PHILIPP Wirbelstar**.

The **PHILIPP Recess Former** made from steel (Table 1) can be combined with the lifting devices **PHILIPP Wirbelstar** and **PHILIPP Lifting Loop with Threaded End**.

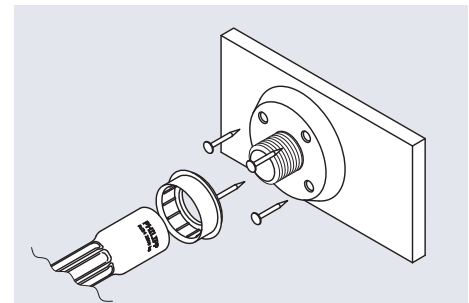
The recesses of the **PHILIPP Recess Formers** made from steel can be sealed with caps made from stainless steel. These are aligned with dimensions of the recess formers. Therewith a plane surface is given. Depending on the customer request the sealing caps are available with slot or internal hexagon.

To ensure an effortless loosening of the magnetic recess formers it is recommended to oil the magnetic body and the thread. To avoid rotation of the threaded adapter the threaded anchor or insert must be connected to the magnetic recess former prior fixing it onto the mould (attention: please screw the threaded adapter in a way that it is hand-tight). Please pay attention that the threaded insert has contact with the magnetic recess former. If it is required to move please use a plastic hammer or hammer shaft. It is not allowed to use the threaded anchor as lever arm because the magnetic recess former could be damaged.

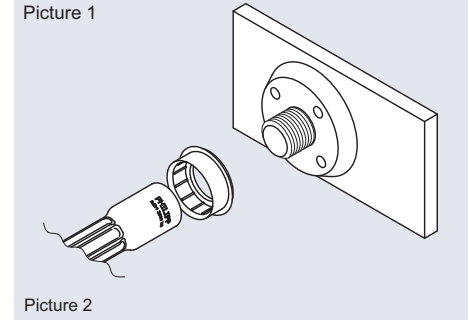
The area of adhesion must be kept clean and unevenness must be removed so that the adhesion force is not reduced. Any heating of the magnetic recess former is inadmissible because the magnetic structure can be destroyed.

Table 1: Recess Former

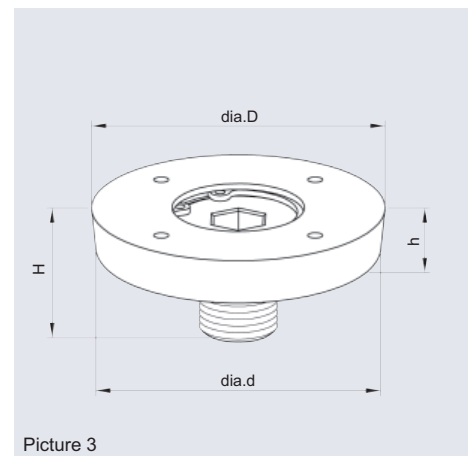
Art.-No.	for Type	dia.D [mm]	dia.d [mm]	H [mm]	h [mm]	Weight [kg/100 pcs.]	PU [pcs.]
72SAT12K	12	51	48	22	10	14.0	1
72SAT14K	14	56	53	25	10	18.0	1
72SAT16K	16	60	58	26	10	21.0	1
72SAT18K	18	63	59	29	10	23.0	1
72SAT20K	20	74	71	31	10	34.0	1
72SAT24K	24	78	75	35	12	45.0	1
72SAT30K	30	95	92	43	12	72.0	1
72SAT36K	36	105	102	49	12	93.0	1
72SAT42K	42	115	112	57	15	142.0	1
72SAT52K	52	136	132	68	15	220.0	1



Picture 1



Picture 2

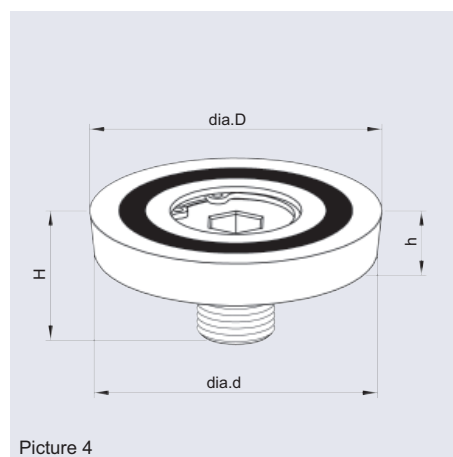


Picture 3

Version: with Nail Holes

Table 2: PHILIPP Magnetic Recess Former

Art.-No.	for Type	dia.D [mm]	dia.d [mm]	H [mm]	h [mm]	Weight [kg/100 pcs.]	PU [pcs.]
72SATM12K	12	51	48	22	10	15.0	1
72SATM14K	14	56	53	25	10	17.0	1
72SATM16K	16	60	58	26	10	26.0	1
72SATM18K	18	63	59	29	10	28.0	1
72SATM20K	20	74	71	31	10	35.0	1
72SATM24K	24	78	75	35	12	45.0	1
72SATM30K	30	95	92	43	12	72.0	1
72SATM36K	36	105	102	49	12	99.0	1
72SATM42K	42	115	112	57	15	124.0	1
72SATM52K	52	136	132	68	15	185.0	1

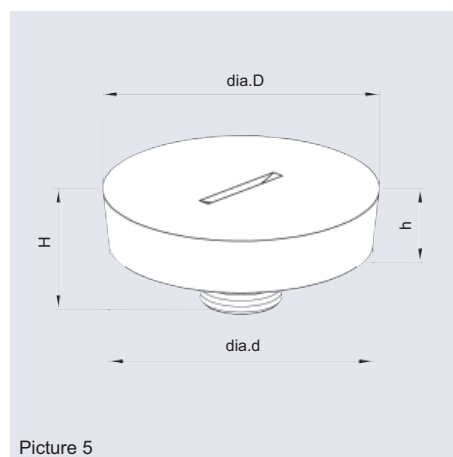


Picture 4

Version: with Magnet

Table 3: PHILIPP Sealing Cap (stainless steel with slot)

Art.-No.	for Type	dia.D [mm]	dia.d [mm]	H [mm]	h [mm]	Weight [kg/100 pcs.]	PU [pcs.]
72ASSAT12VA-S	12	51	48	22	10	14.0	1
72ASSAT14VA-S	14	56	53	25	10	18.0	1
72ASSAT16VA-S	16	60	58	26	10	21.0	1
72ASSAT18VA-S	18	63	59	29	10	23.0	1
72ASSAT20VA-S	20	74	71	31	10	34.0	1
72ASSAT24VA-S	24	78	75	35	12	45.0	1
72ASSAT30VA-S	30	95	92	43	12	72.0	1
72ASSAT36VA-S	36	105	102	49	12	93.0	1
72ASSAT42VA-S	42	115	112	57	15	142.0	1
72ASSAT52VA-S	52	136	132	68	15	220.0	1

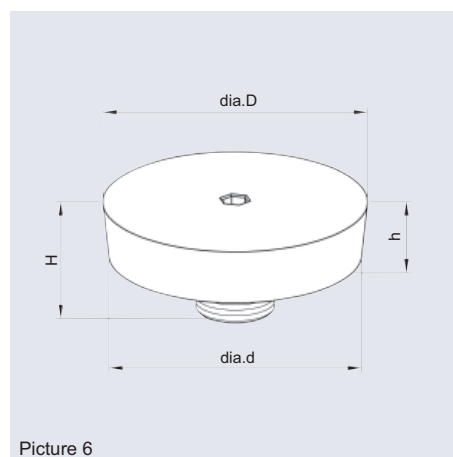


Picture 5

Version: with Slot

Table 4: PHILIPP Sealing Cap (stainless steel with internal hexagon)

Art.-No.	for Type	dia.D [mm]	dia.d [mm]	H [mm]	h [mm]	Weight [kg/100 pcs.]	PU [pcs.]
72ASSAT12VA-ISK	12	51	48	22	10	14.0	1
72ASSAT14VA-ISK	14	56	53	25	10	18.0	1
72ASSAT16VA-ISK	16	60	58	26	10	21.0	1
72ASSAT18VA-ISK	18	63	59	29	10	23.0	1
72ASSAT20VA-ISK	20	74	71	31	10	34.0	1
72ASSAT24VA-ISK	24	78	75	35	12	45.0	1
72ASSAT30VA-ISK	30	95	92	43	12	72.0	1
72ASSAT36VA-ISK	36	105	102	49	12	93.0	1
72ASSAT42VA-ISK	42	115	112	57	15	142.0	1
72ASSAT52VA-ISK	52	136	132	68	15	220.0	1



Picture 6

Version: with Internal Hexagon

