



PHILIPP Spherical Head Transport Anchor

Data Sheet



Special Version



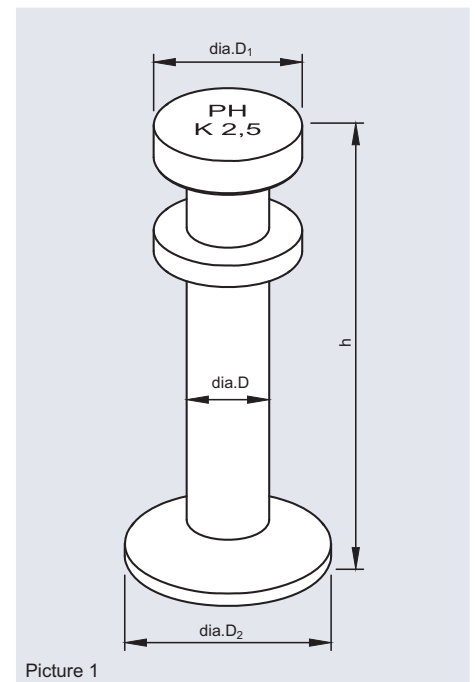
DATA SHEET OF PHILIPP SPHERICAL HEAD TRANSPORT ANCHOR

The **PHILIPP Spherical Head Transport Anchor** is part of the **PHILIPP Transport Anchor System**.

On use of **PHILIPP Spherical Head Transport Anchor** attention must be paid to this data sheet as well as the general installation instruction. The instructions for use of the lifting device (**PHILIPP Spherical Head Lifting Clutch**) may also be considered. The anchor may only be used in combination with the original **PHILIPP Spherical Head Lifting Clutch**. Depending on the particular transport case it can be necessary to contact our technical department before using **PHILIPP Spherical Head Transport Anchor**.

The **PHILIPP Spherical Head Transport Anchor** is used to transport reinforced concrete tubes and shafts. The **PHILIPP Spherical Head Transport Anchor** is especially appropriate for moulds with automatic anchor supply because the diameters of the head and the middle ring have the same size.

The **PHILIPP Spherical Head Transport Anchors** are fixed onto the mould with the aid of a trumpet shaped **PHILIPP Recess Former**. The middle ring functions as locking element and prevents the infiltration of the concrete into the recess former.



1. Dimensions and Load Classes

To differentiate between the sizes, **PHILIPP Spherical Head Transport Anchor** have a marking on their anchor head, which shown the load group. Picture 1 and Table 1 include details about dimensions and load bearing capacities of **PHILIPP Spherical Head Transport Anchors**.

Table 1: Dimensions of PHILIPP Spherical Head Transport Anchor (special version)

Art.-No.	Load Group	h [mm]	dia.D [mm]	dia.D ₁ [mm]	dia.D ₂ [mm]	Weight [kg/100 pcs.]
81-013-040MA	1.3	40	10	19	25	60.0
81-013-050MA	1.3	50	10	19	25	70.0
81-013-065MA	1.3	65	10	19	25	80.0
81-013-085MA	1.3	85	10	19	25	90.0
81-025-065MA	2.5	65	14	26	35	130.0
81-025-085MA	2.5	85	14	26	35	160.0
81-025-120MA	2.5	120	14	26	35	210.0

2. Material

The **PHILIPP Spherical Head Transport Anchors** consist of round steel where a spherical head and a foot are forged on. Alternatively the anchor can be produced in galvanized quality or stainless steel.

3. Corrosion

If the precast units with installed **PHILIPP Spherical Head Transport Anchor** are stocked outside for a longer time (that means the units are stored outside and wetness or rain can get into the recess) the steel of the **PHILIPP Spherical Head Transport Anchor** can be destroyed through chemical processes. Thereby the anchor can fail under load. Furthermore rust can occur on the surface when stocking outside.